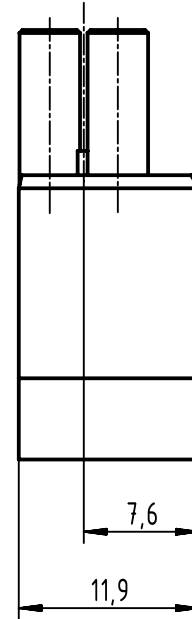
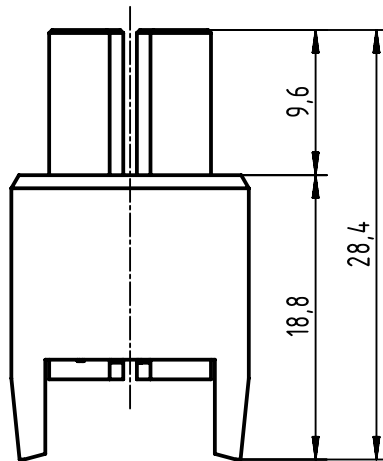
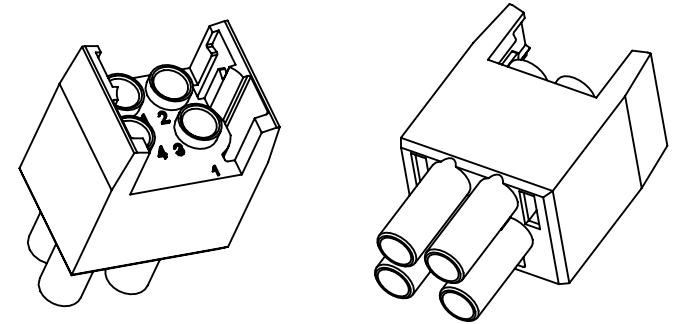


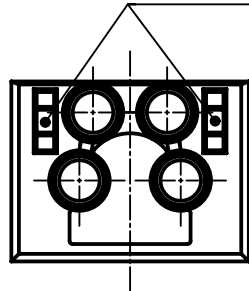
usable with HARTING PushPull (V4)
receptacle housing 0945 545 0042
(please order separately)




usable crimp contacts (please order separately)

- 3x male crimp contacts 09 46 500 0404 0.75mm² (AWG 20)
- 3x male crimp contacts 09 46 500 0408 1.0mm² (AWG 18)
- 3x male crimp contacts 09 46 500 0402 1.5mm² (AWG 16-14)
- 3x male crimp contacts 09 46 500 0406 2.5mm² (AWG 12)

slot for coding pin
0946 840 0000



further information see product data sheet

	All rights reserved Department EL PD	All Dimensions in mm Original Size DIN A4		Scale 2:1	Free size tol.	Ref. Sub.
		Created by ZWAHR	Inspected by ELLERMANN	Standardisation SAP_WFRT	Date 2022-01-25	State Final Release
HARTING D-32339 Espelkamp		Title HPP V4 Power insert 4 pole w/o crimp cont. 48V/12A				Doc-Key / ECM-Nr. 100154364/UGD/004/E 500000210314
		Type TB	Number 09465004401		Rev. E	Page 1/1